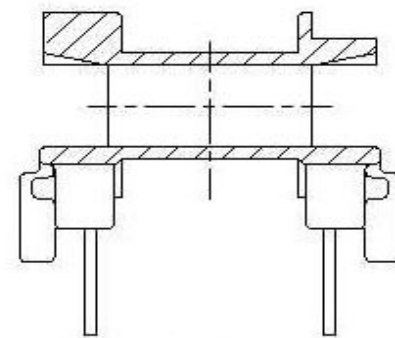
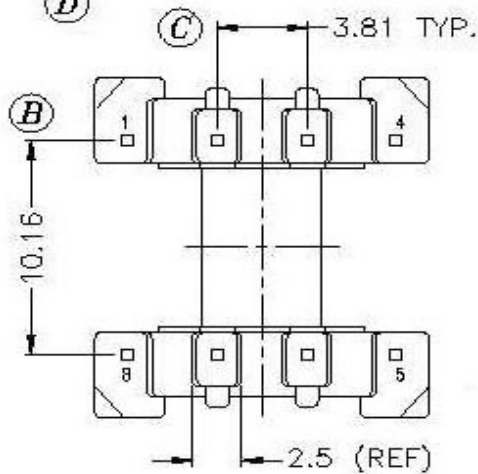
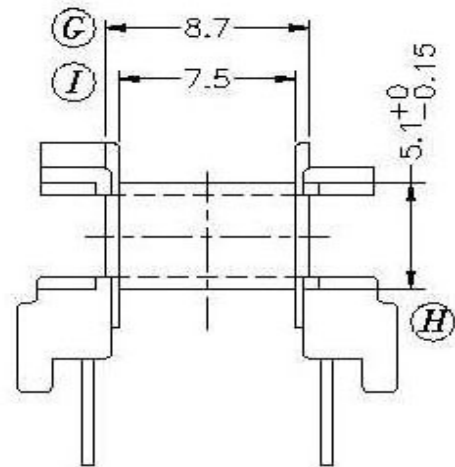
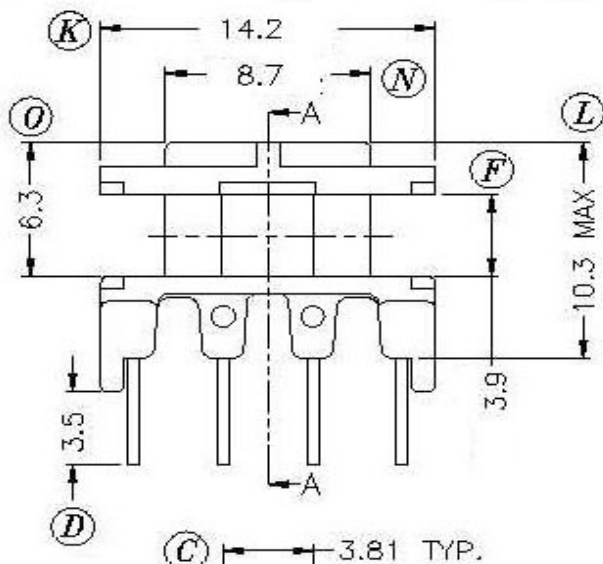
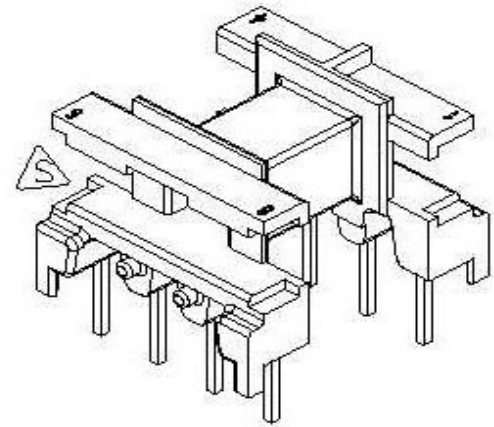
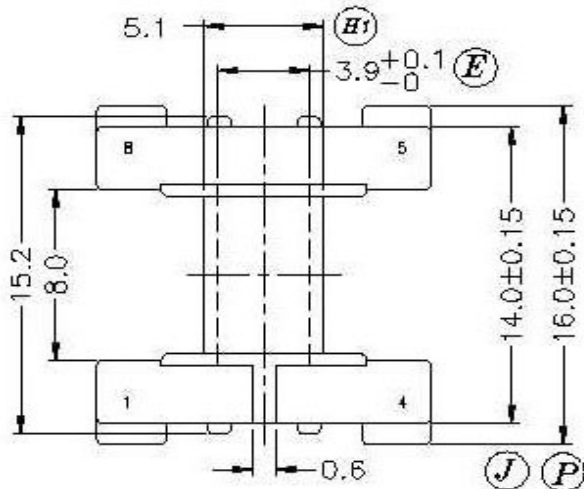


P/N

SR-EF1203



SEC. A-A



Hefei Shirui Electronic Technology Co.,Ltd

TEL: (0086) 55165232650

sales@shiruitech.com

www.shiruitech.com

SR NO.

SR-EF1203

MATERIAL:

PHENOLIC

UNIT: mm

TOLERANCE

0 L 4 ±0.10

4 L 16 ±0.20

16 L 64 ±0.30

PIN PITCH ±0.05

DRN.

WILL H

MODEL NAME:

EF12.6-8P-1S H

UL REC: UL 94V-0

ANGLE: ±°



SCALE 1:1

CHD.

IRINA LEE

ISSD.

JAMES HU